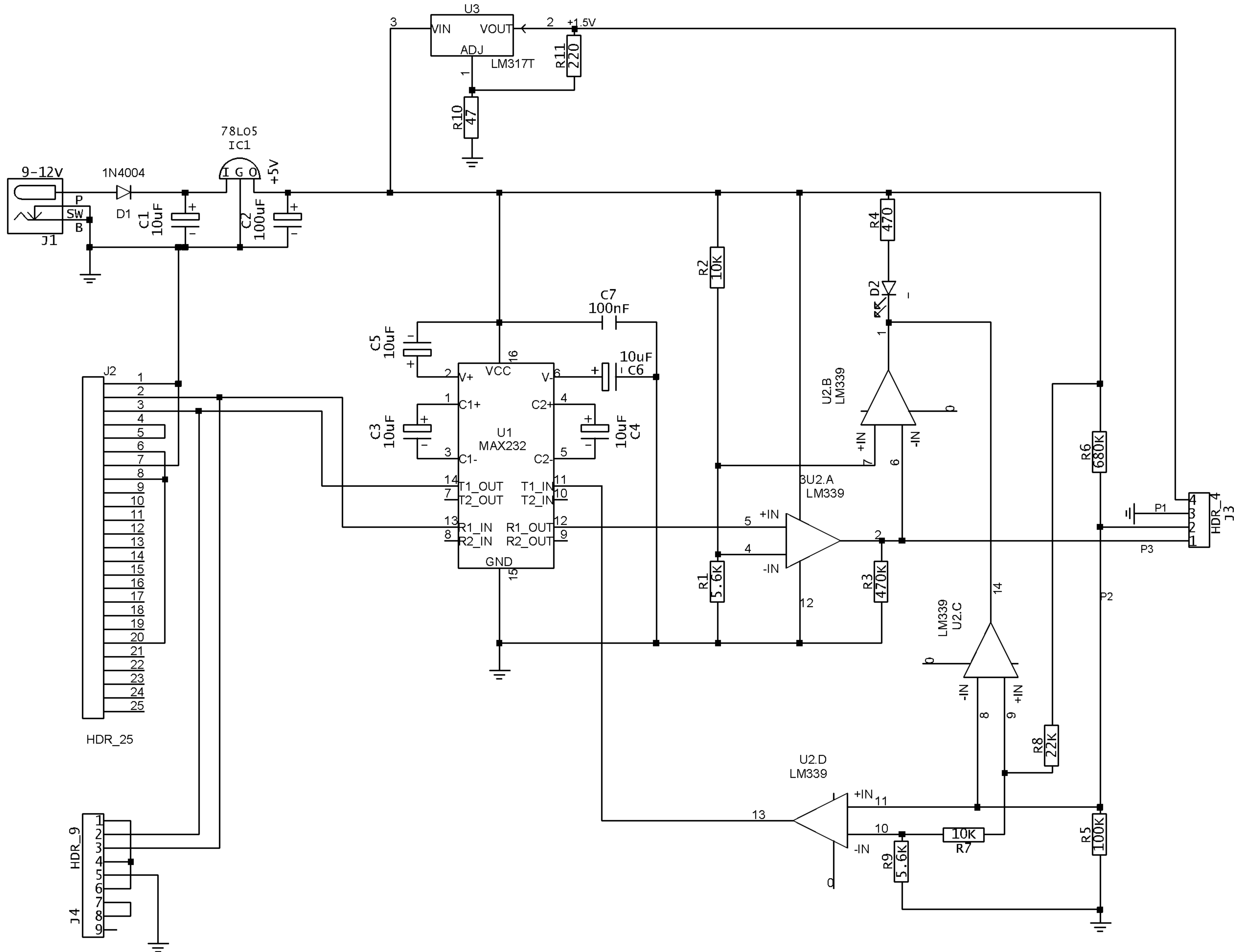


minitor III interface.UTSCH - SHEET



P1 IS CLOSEST TO THE CENTER  
 P2 IS CLOSEST TO THE CURVED END  
 P3 IS THE CENTER PIN