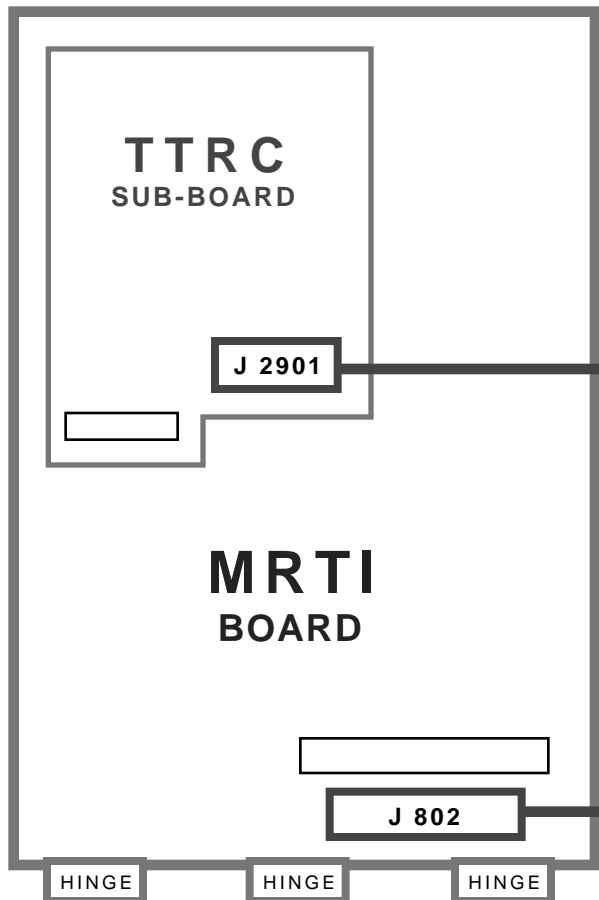


MSF5000 WIRING DIAGRAM

MRTI BOARD TO DB25F CONNECTOR

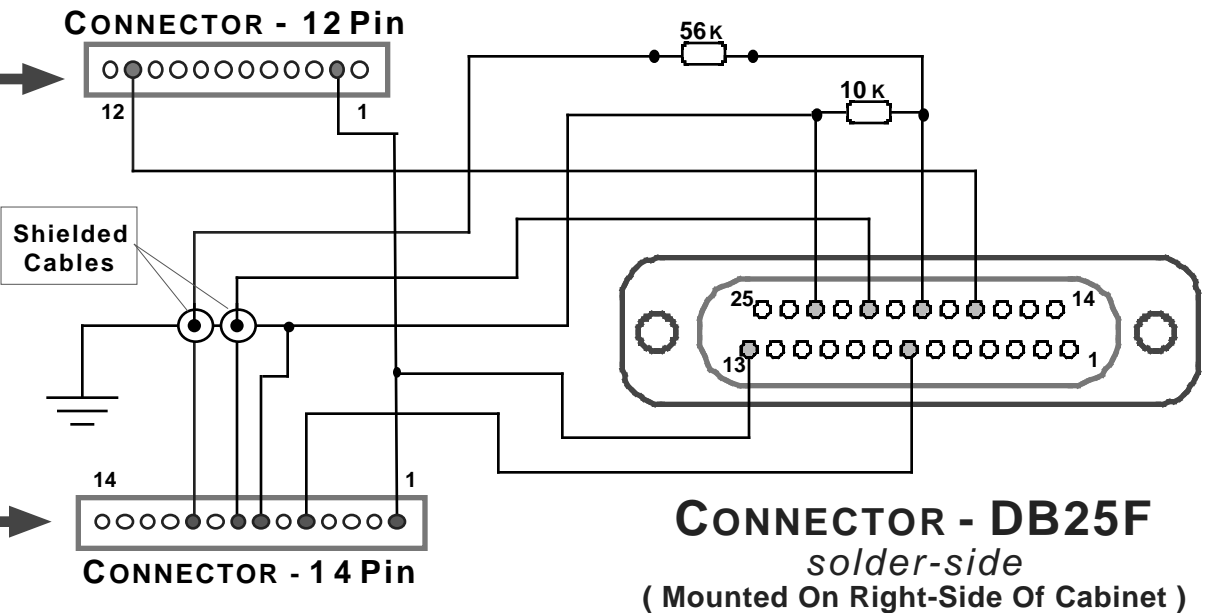
CONNECTING THE MRTI SUBASSEMBLY BOARDS TO THE DB25F ON THE REPEATER CABINET
 Based On Procedure Performed On 19 November 2000 - WB2KDG

MRTI PCB SUBASSEMBLY STATIC - SENSITIVE



CROSS-REFERENCE AND COLOR CODE GUIDE

12-PIN CONNECTOR	14-PIN CONNECTOR	CIRCUIT FUNCTION	SHIELDED CABLE WIRE COLOR	DB-25-F CONNECTOR	MODIFIED DB25M to DB25F CABLE WIRE COLOR CODE
2	1	Logic Ground	BLACK	13	----
--	7	Audio Ground	WHITE	23	Purple-White / Audio Shields
--	5	PTT	YELLOW	7	----
--	8	Audio IN	ORANGE	21	Blue-White / Green RCA
--	10	Audio OUT	GREEN	19	Black-White / Yellow RCA
11	--	COR	BLUE	17	----



CONNECTOR - DB25F
solder-side
 (Mounted On Right-Side Of Cabinet)